



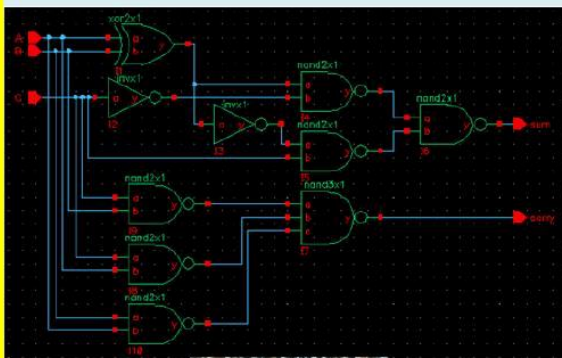
OrCAD- PSpice



A TEQIP-III Sponsored
(September 10, 2018)

ONE DAY TRAINING
PROGRAM on

OrCAD PSpice



CHIEF PATRON:

SMT. KIRAN MAHESHWARI
Hon'ble Minister
Tech. and Higher Education
Government of Rajasthan

PATRONS:

Dr. Ravi Juniwal
Chairman, ECA Society

Dr. Shiv Lal
Principal, GEC Banswara

Dr. Indrajit Patel
Principal, BVM Vidyanagar

CONVENOR:

Mr. Abhishek Singh (+91-9882437223)
HOD, Electrical Engineering

CO-CONVENORS:

Mr. Shiv Pal Yadav,
Registrar & TEQIP Coordinator

Mr. Sahil Bansal,
NO(A), TEQIP-III

COORDINATORS:

Mr. Vikram Singh
Mr. Nitesh Kataria
Mr. Deepanshu Naware
Mrs. Ruchira Choubisa
Mrs. Pushpa Gangwal

Contact:

principalgecbanswara@gmail.com

Phone: 02962-215300, 9636855553

- No Registration Fees

GOVERNMENT ENGINEERING COLLEGE BANSWARA

Behind Mayur Mill, Dungarpur Road Lodha, Banswara-327001

For more detail visit: www.gecbanswara.ac.in